

**Installation Instructions for Mathews Brothers Noah Merrill series
New Construction: Frame with Applied Casing
(into Wood/Steel Frame Construction)
Vertical Slide, Horizontal Slide, Projected & Stationary Windows**

NOAH
MERRILL

⚠️ PRIOR TO INSTALLATION ⚠️

- Do not lift window by top of frame, only by holding both jambs. • Remove or cut ventilation holes in shipping wrap if windows are not installed immediately.
 - Protect the window during construction and drywall installation. • Protect window sill from traffic, construction debris and damage.
- The rough opening must be plumb, level, square and ½" larger than the window size in width and height. • Use 7" wide flexible self-adhesive sill flashing on 2x4 walls, or 9" wide for 2x6 construction. • Make sure opening is clean and dry prior to installation, for both flashing and window unit.
 - Do not drill into or through the window sill or window casing. • Do not plug weep holes.

TOOLS REQUIRED:

Safety Glasses, Tape Measure, 3-foot Level, Razor Knife, Screwdriver, Hammer, Wood Shims, Flexible Self-Adhesive Flashing (for sill), Self-Adhesive Flashing (for head and jambs), Caulking Gun, Exterior-Grade Clear Silicone (PVC Compatible), Stainless Screws or Galvanized Roofing Nails, Aluminum Drip Cap, and Batt Insulation

PREPARING / FLASHING THE OPENING:

01. Attach weather resistant housewrap to house sheathing according to manufacturer's instructions.
02. Make an "I-Cut" in the housewrap. Begin with a horizontal cut across the bottom and the top of the window frame. (For radius windows, cut from the center straight down to the sill.) Cut two 45° slits at last 8" from the corner of the header to create a flap above the rough opening to expose sheathing or framing members and to allow head flashing installation. (Figure A)
03. Flip head flap up and temporarily secure with housewrap tape. (Figure B)
04. Fold side pieces through the opening into the inside of the structure, and secure. These should cover interior face of framing stud. (Figure C)
05. Close and lock sash (if applicable) in order to keep the window unit square during installation.
06. Place window unit into opening to ensure it will fit properly prior to proceeding to Step 7. The rough opening should be ½" wider and ½" taller than the master frame of the window unit. If the window fits properly, proceed to Step 7. If the rough opening is too large or too small, modify as needed.
07. Center unit in opening and shim to ensure window is level, square and plumb. Once this is accomplished, remove the shims and place aside for installation.
08. Install exterior sill flashing prior to setting the window in the opening. Cut self-adhesive flexible flashing, approved for use on wood and vinyl, (7" wide for 2" x 4" construction, 9" wide for 2" x 6" construction) at least 12" longer than the width of the rough opening. The flashing must meet a minimum water resistance of 24 hours in accordance with ASTM-D779. (Figure D)
09. Window flashing must be applied in accordance with manufacturer's recommendations, starting first at the sill, extending a minimum of 6" above each bottom corner of the rough opening. Flashing should extend approximately 3" beyond the plane of the sheathing. (Figure E)
10. Remove outer release paper. Apply flexible wrap at bottom corners onto face of wall. When installing, take care to leave no gaps in the corners of the rough opening. Secure edges of flexible wrap with sufficient mechanical fasteners along the bottom edge of the flexible wrap at flexed corners. (Figure E)

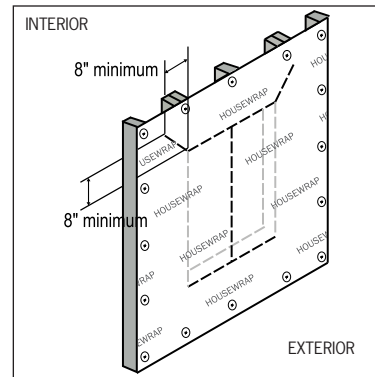


FIGURE A

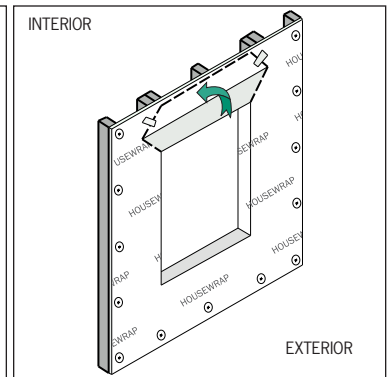


FIGURE B

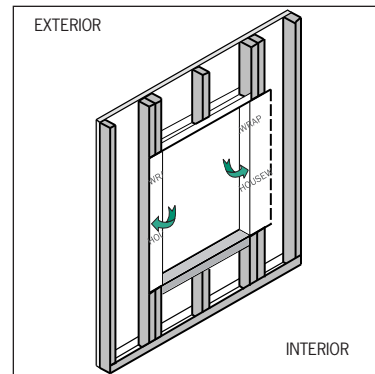


FIGURE C

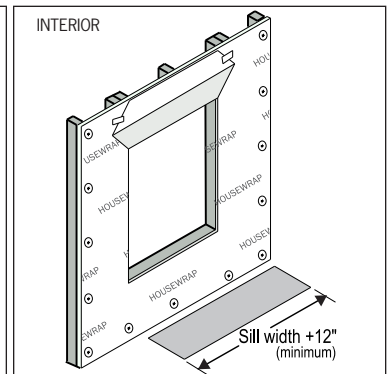


FIGURE D

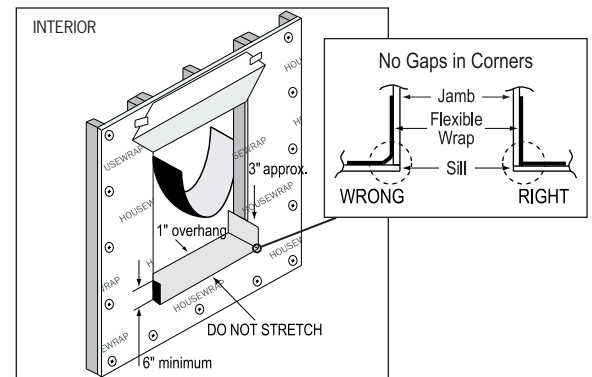


FIGURE E



Continued next page

SHIMMING / SETTING THE WINDOW:

11. Prepare **jamb flashing** by cutting two pieces of straight flashing at least 6" longer than the jamb. Break the scored release paper on one side of the jamb flashing by folding it back and forth upon itself. Install flashing so that it extends a minimum of 3" above the header, 3" below the sill and 3" to the inside of the rough openings. Using a razor blade knife, cut the flashing at a 45° angle at the head and secure to the inside of the rough opening. *(Figure F #1)*
12. Prepare **head flashing** by cutting a piece of straight flashing at least 6" longer than the width of the head. Apply head flashing so that it overlaps both pieces of jamb flashing by at least 1", and sits under the housewrap. *(Figure F #2)*
13. Slide installation brackets so that they are perpendicular to the frame. *(Figure G)*
14. Apply a continuous bead of silicone caulking, ½" wide, around the perimeter of casing and to the inside of the nailing fin at the sill. Make certain there are no voids or gaps in the caulking. *(Figure H)*
15. Carefully set the window into the opening, and using shims, make sure the window is supported in a straight and level position, with shims at all locations where the jambs meet the sills (all series), and meeting rails meet the jambs (vertical sliders). Multiple window units should have a shim under each mullion or intermediate jamb. *(Figure I)*
16. Adjust side clearance to center the window in the opening. Shim both sides of window as needed to ensure window is plumb and margins are equal. Prior to fastening installation screws, check to ensure window is level and plumb. *(Figure J)*
17. Fasten one upper corner brackets to keep the window in place. Check the sill with a level and adjust the shims as required to ensure the sill is level. Shims should also be applied next to all mounting brackets. *(Figure K)*
Note: Do not force shims into place, as this may bow the window frame.
18. Measure window diagonally from bottom left corner to top right corner and from bottom, right corner to top left corner. Both measurements will be equal if the frame is square. If they are not equal, the frame is not square and will need to be reset to ensure it is square. *(Figure L)*
19. The weatherstripping clearance between the sash and frame should be equal. The meeting stile/rail and lock stile/rail should align evenly, with parallel sight lines. The window locks should engage smoothly.

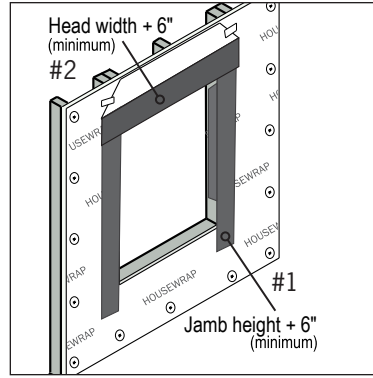


FIGURE F

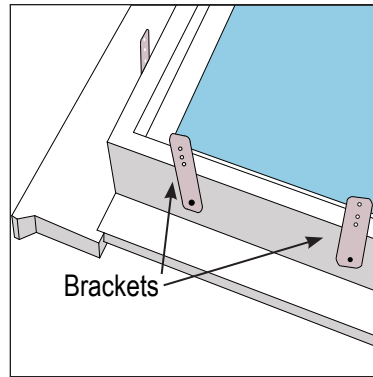


FIGURE G

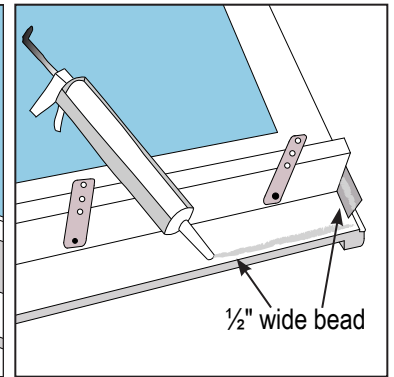


FIGURE H

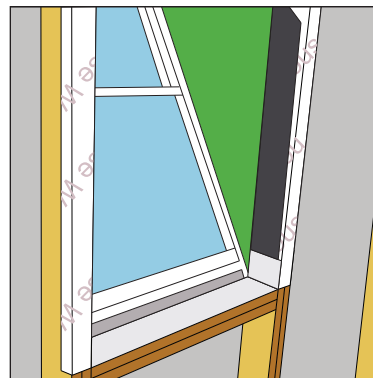


FIGURE I

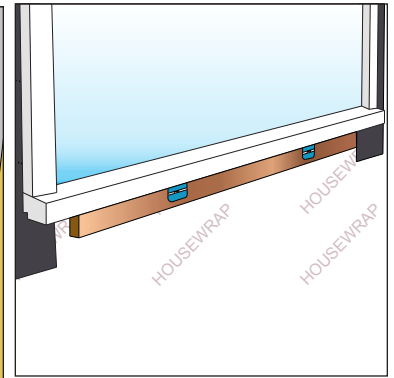


FIGURE J

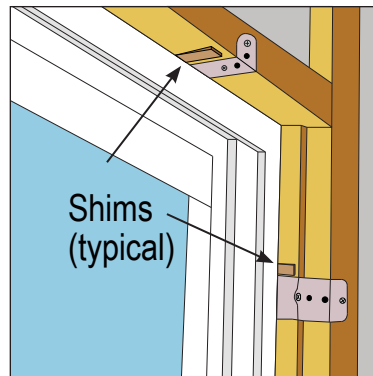


FIGURE K

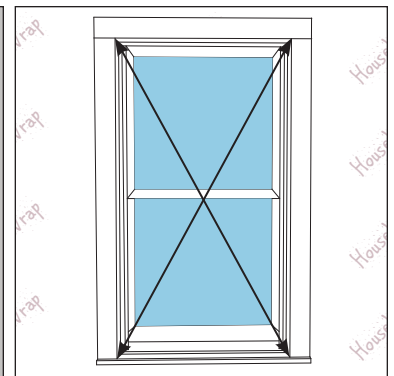


FIGURE L

Continued next page

Installation Instructions for Mathews Brothers Noah Merrill series
New Construction: Frame with Applied Casing
continued

NOAH
MERRILL

SECURING THE WINDOW:

20. Using every installation bracket supplied, fasten the entire perimeter of the frame to the sheathing. Use stainless or galvanized steel fasteners, such as roofing nails, long enough to penetrate wall studs a minimum of 1". **Do not drill through or attach through the casing. Use only installation brackets supplied.**
21. Fasten the nailing fin at the sill snug but do not overdrive the nails. Fasteners should be just tight enough to hold the window but not stop the movement of the framing underneath during expansion and contraction. Make sure the head and sill are **NOT** crowned up or down, and the jambs are not bowed in or out.
22. Cut aluminum drip cap the same width as the head of the window casing and install above the head casing, using stainless or galvanized steel fasteners.
23. Remove tape from housewrap head flap (see Step 3) and lower flap so that it comes to the top of the drip cap. Cut off any excess, and secure housewrap with flashing tape.
24. Install batt insulation between the window and rough opening. Do not overfill insulation, as this may bow the frame.
25. If the exterior finish is brick, stone or stucco, make sure to leave a ¼" gap around the entire window, and fill cavity with backer rod to allow for the expansion of materials. Apply a ¼" caulk bead to the exterior perimeter of the window.
26. Once installation is complete, exterior wall treatment can be completed.

