

HEAVY LIFTING REQUIRED TWO PEOPLE RECOMMENDED FOR INSTALLATION

**DOOR HANDING IS DETERMINED AT THE TIME OF THE ORDER AND CANNOT BE CHANGED IN THE FIELD
DO NOT STORE DOORS STACKED UPON EACH OTHER IF THEY WILL BE EXPOSED TO SUNLIGHT**

- Do not lift door by head or sill, only by holding both jambs.
- Do not drill into or through the door sill.
- Make sure opening is clean and dry prior to installation.
- Protect the door during construction and sheetrocking.
- Protect door sill from construction traffic, debris and damage.
- Do not plug weep holes.

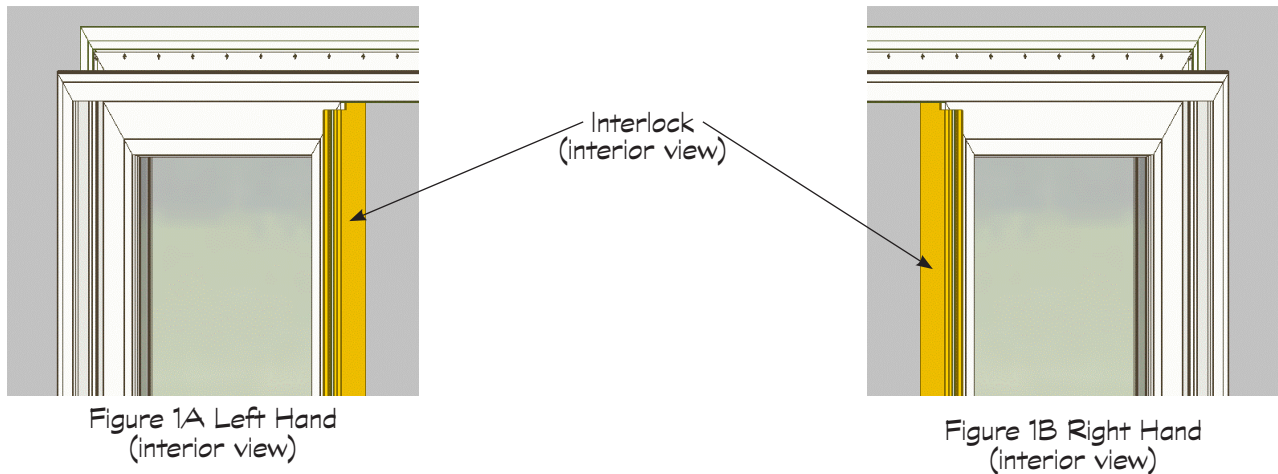
PLEASE NOTE:

PRIOR TO INSTALLATION: Inspect all weatherstripping to ensure they are intact, properly placed on frame, and properly placed on panel interlocks.

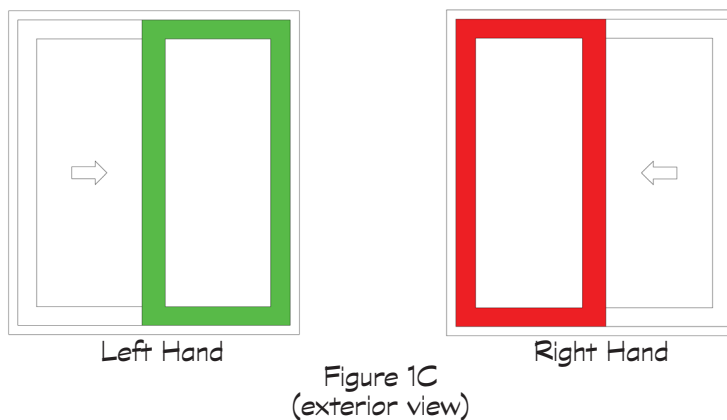
UNLESS OTHERWISE NOTED, DOOR HANDING IS VIEWED FROM THE EXTERIOR OF THE HOUSE.

The instructions below are for our Two Panel Doors with no panels installed, Three Panel Doors with one panel installed, and Four Panel Doors with no panels installed.

1. Referencing Figure 1C, Install stationary panel into the OUTSIDE track, with the interlock and weatherstrip facing the interior of the building (Figures 1A, 1B -*note: these are viewed from the INTERIOR*).



- a. For a **Two Panel Door**, match the door handing ordered to one of the images below. For a right-hand door, place the stationary panel in the position highlighted in **red**. For a left-hand door, place the stationary panel in the position highlighted in **green**.



- b. For a **Three Panel Door**, place the second stationary panel in the opposite side of the frame in the outside track.
- c. For a **Four Panel Door**, install one stationary panel to the far-left side of the frame and one panel to the far right side of the frame (Figure 1D, 1E).

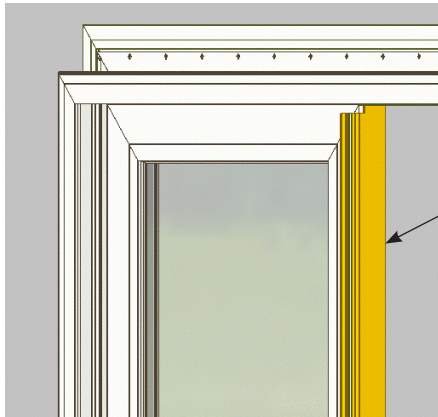


Figure 1D

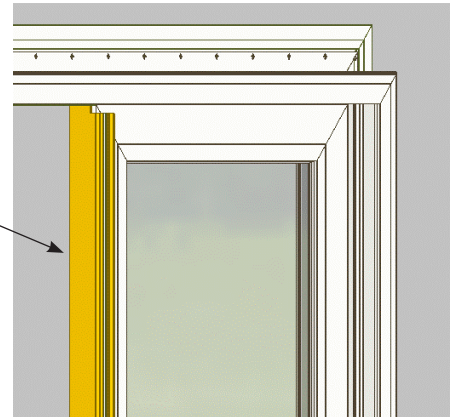


Figure 1E

Interlock

- 2. From the middle of the frame push the top of stationary panel completely up into the outside pocket of the frame's head (Figure 2a), then swing the bottom of panel into the frame and drop into the outside sill pocket (Figure 2b) and slide the panel over the bottom spacers (Figure 2c).
- 3. Next push stationary panel until it is firmly against the side jamb spacers (Figure 3)

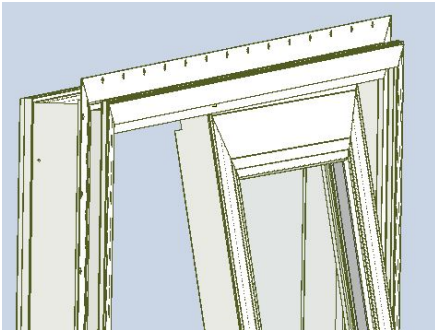


Figure 2A

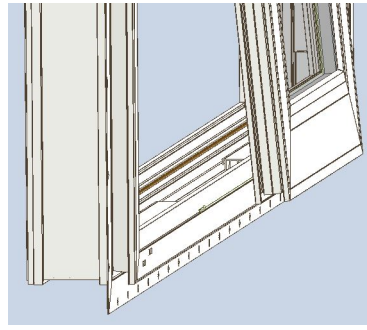


Figure 2B

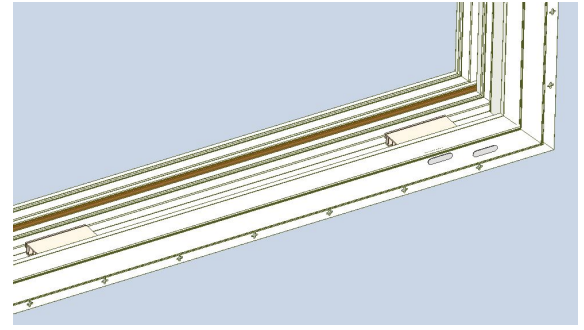


Figure 2C

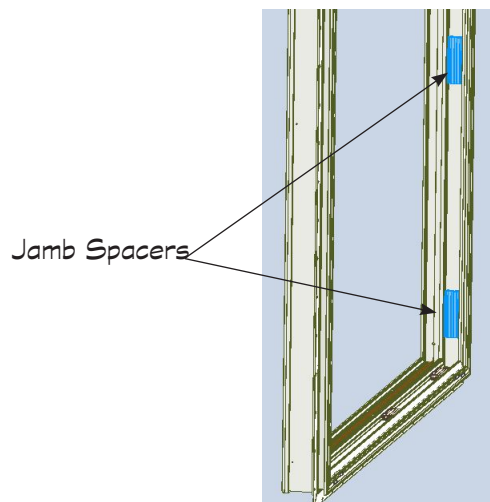
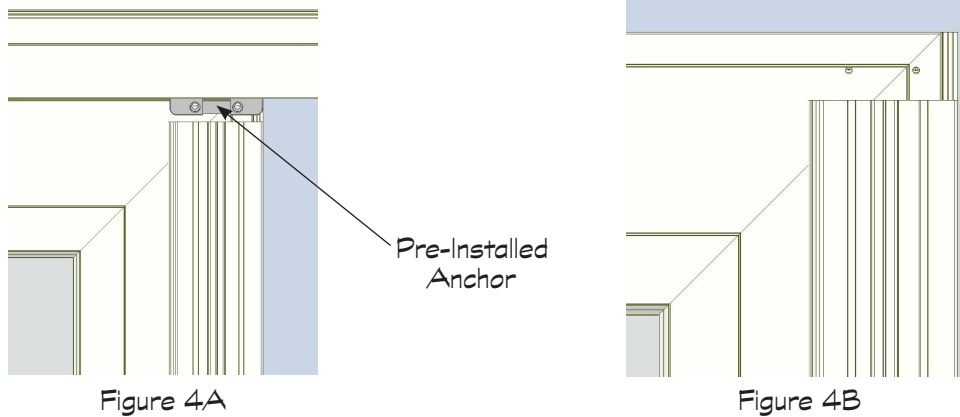


Figure 3

- Secure pre-installed anchors on the head and still towers of the door frame to the stationary panel (Figure 4A). Align the stationary panel's predrilled holes with the holes in the anchors (Figure 4B) that are located near the interlock on the interior face of panel. Using two 2 ¼" #8 UNC beveled flathead screws per anchor; secure the anchors to the panel through the anchor holes and into predrilled holes on stationary panel.



- Four Panel Door only** – Repeat Steps 10 thru 13 for the second stationary door panel.

If operating panels are not installed:

- Install operating panel into the INSIDE track, with the interlock facing the exterior of the building, and the roller wheels on bottom of panel. To install, push top of operating panel into the inside track of the frame's head channel, lift completely up, and swing bottom of panel into the frame's sill channel (Figure 6).
- Test operation of the panel. If the panel does not operate smoothly, please follow instructions in Step 8. If panel operates smoothly, move on to **Step 9 or 10** as appropriate.
- To adjust the roller wheels, remove the hole plugs on the interior face of the operating panel to reveal two panel adjustment screws, and with a Philips head screwdriver, turn each adjustment screw **CLOCKWISE** to raise wheels. Adjust each wheel one click at a time, testing operation after each adjustment. When panel glides smoothly along roller track, replace hole plugs. To lower, turn each adjustment screw **COUNTER-CLOCKWISE** (Figure 8).

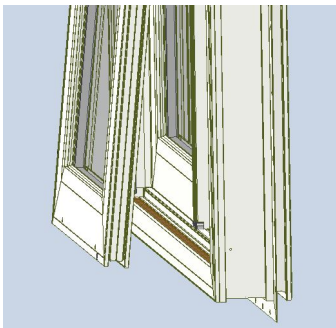


Figure 6

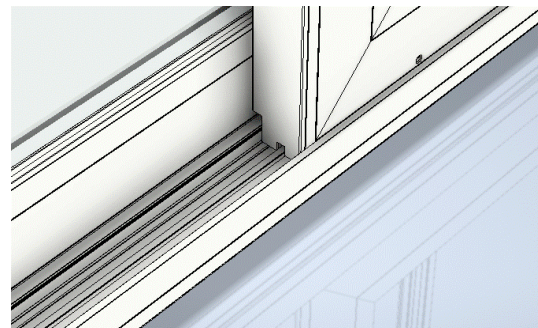
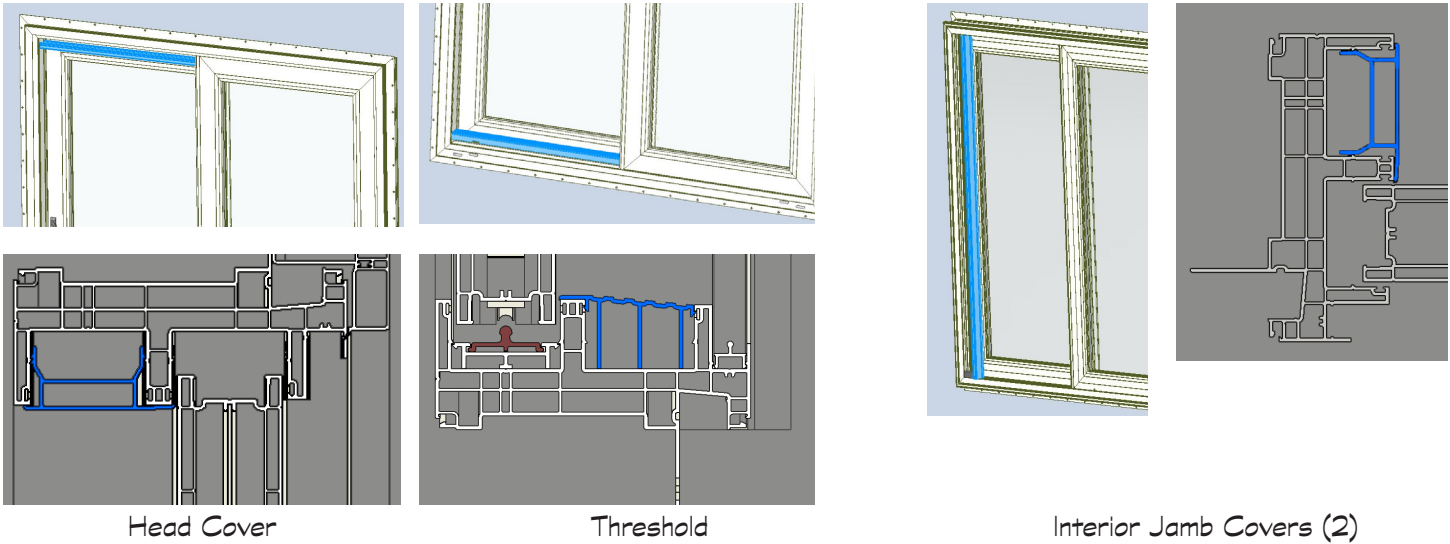


Figure 8

- Four Panel Door only** – Repeat Steps 6 thru 8 for the second operating door panel.

Install threshold, head cover, & jamb covers: (Some or all of the parts listed may be installed from the factory)



10. Two Panel Door

- Snap-in the Exterior Head Cover into the exterior head pocket.
- Snap-in the Threshold into the exterior sill pocket.

11. Three Panel Door

- Snap-in the Exterior Head Cover into exterior head pocket.
- Snap-in the Threshold into the exterior sill pocket opposite operating panel.
- Snap-in the Interior Jamb Covers in both side jamb pockets.

12. Four Panel Door

- Snap-in the Exterior Head Cover into the exterior head pocket.
- Snap-in the Threshold into the exterior sill pocket.

Four Panel Doors only – After All Panels are Installed.

13. Install astragal to the operating panel that does not have the latch mechanism installed, the third panel from the left when the door is viewed from the exterior (Figure 13A). Orient astragal so that the keeper aligns with active panel's lock (Figure 13B).
14. To install, fit astragal over the exposed edge of the panel with both ends of astragal in the head and sill channels. Using 1-1/2" #8 pan head screws, secure astragal to the panel through all four pre-drilled astragal holes (Figure 14).



Figure 13A



Figure 13B

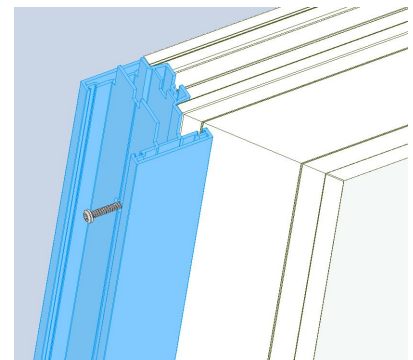


Figure 14