

THE FOLLOWING INSTALLATION INSTRUCTIONS ARE BASED ON AAMA-100-12 METHOD B VARIATIONS IN BUILDING DESIGN, CONSTRUCTION MATERIALS OR METHODS MAY AFFECT INSTALLATION TECHNIQUE. PLEASE CONSULT WITH ARCHITECT FOR RECOMMENDATIONS

HEAVY LIFTING REQUIRED TWO PEOPLE RECOMMENDED FOR INSTALLATION

DOOR HANDING IS DETERMINED AT THE TIME OF THE ORDER AND CANNOT BE CHANGED IN THE FIELD

DO NOT STORE DOORS STACKED UPON EACH OTHER IF THEY WILL BE EXPOSED TO SUNLIGHT

- Do not lift door by head or sill, only by holding both jambs.
- Protect the door during construction and sheetrocking.
- Do not drill into or through the door sill.
- Protect door sill from construction traffic, debris and damage.
- Make sure opening is clean and dry prior to installation.
- Do not plug weep holes.
- The rough opening must be plumb, level, square and ½" larger than the door size in width and height, not including the nailing fins.

TOOLS and MATERIALS REQUIRED:

House Wrap • Door Flashing • Tape Measure • Level • Caulking Gun & Caulking • Screw Gun • Insulation

Preparing / Flashing the Opening:

1. Attach weather resistant barrier (WRB) to house sheathing according to manufacturer's instructions.
2. Box cut the WRB from the rough opening so that the WRB is even with the rough opening, not overlapping the opening. (Figure A)
3. Cut the WRB back 6" at a 45-degree angle **up** along the face of the wall at the top corners by the head and jambs. (Figure B)
4. Temporarily tape the head flap created from these cuts up to the WRB above so that it is out of the way. (Figure B)

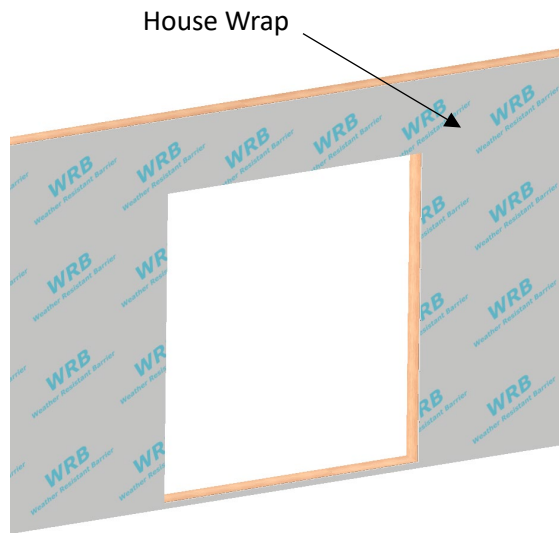


Figure A

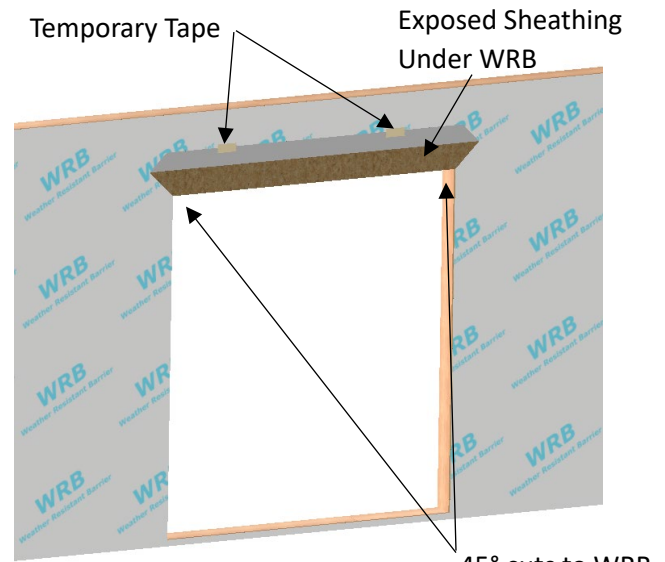
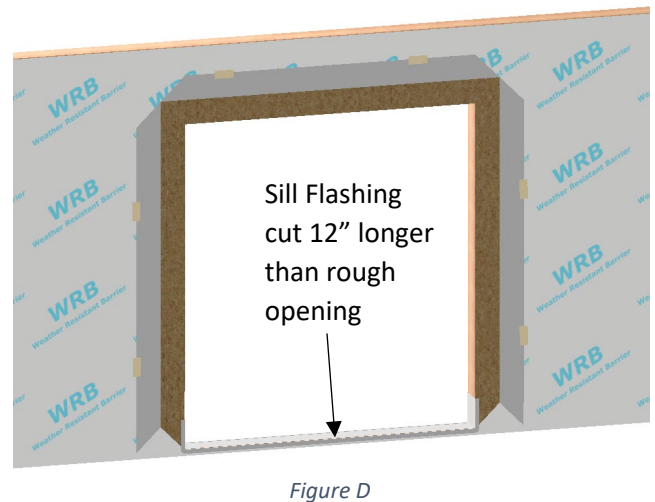
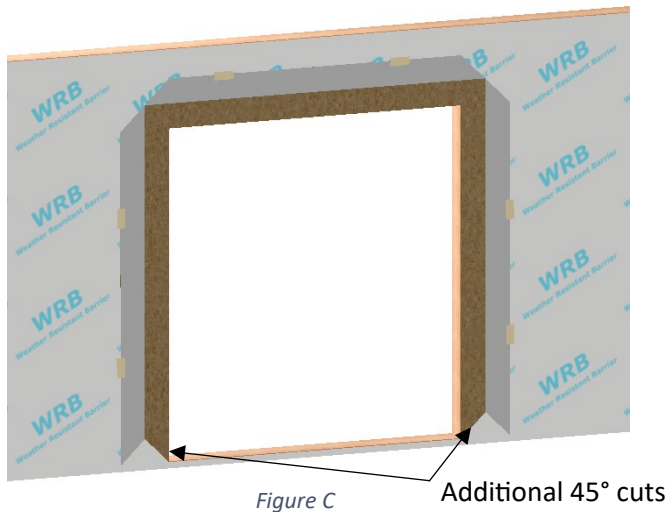


Figure B

5. Make additional cuts at a 45-degree angle **up** from the sill and jamb corners. This will create flaps in the WRB at both jambs while not disturbing the WRB at the sill. (Figure C)
6. Temporarily tape the two jamb flaps back to the WRB at each side.

7. Apply self-adhering flashing along the sill. (Figure D)
 - a. Flashing should comply with AAMA 711 requirements.
 - b. Cut it at least 12" longer than the rough opening width.
 - c. The flashing should overlap to the exterior by at least 2", but not more than 3".
 - d. The flashing should cover the sill at least to the depth of where the door will sit.
 - e. When applying the flashing, press it into the corners of the sill and jamb joist so it does not flex into the rough opening.



8. Inspect and clean the back side of the door flange.
9. Apply a continuous 3/8" diameter bead of sealant along the back side of the flange at the **head** and **jamb**s of the door. When casing is applied to the unit, we recommend an additional bead of caulking around the opening and one aligned with the pre-punched holes in the casing nail fin.
 - a. Be sure that the bead remains continuous at each corner.
 - b. Align the bead with the pre-punched slots or holes in the nailing fin of the door.
 - c. With applied casing, apply an additional bead of caulking at the top and sides of the opening.
10. Apply a discontinuous 3/8" diameter bead of sealant along the back side of the flange at the sill of the door.
 - a. Leave two 2" voids in the sealant within 4" from each jamb.
11. Set the door in the opening. (Figure E)
12. Hold the door in place while ensuring door is plumb, level, and square, installing shims as required. Multiple units should have a shim under each mullion, intermediate jamb, and the meeting stiles of horizontal sliders. (Figure F)

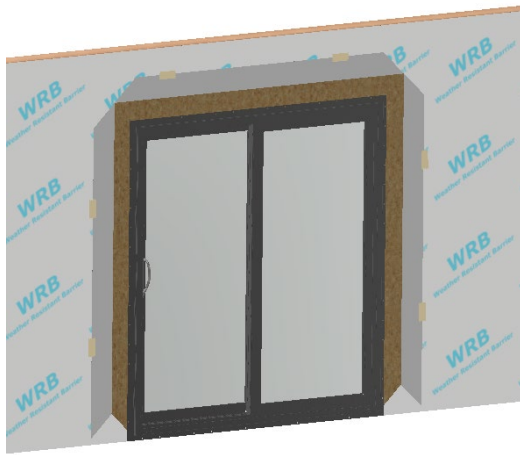


Figure E

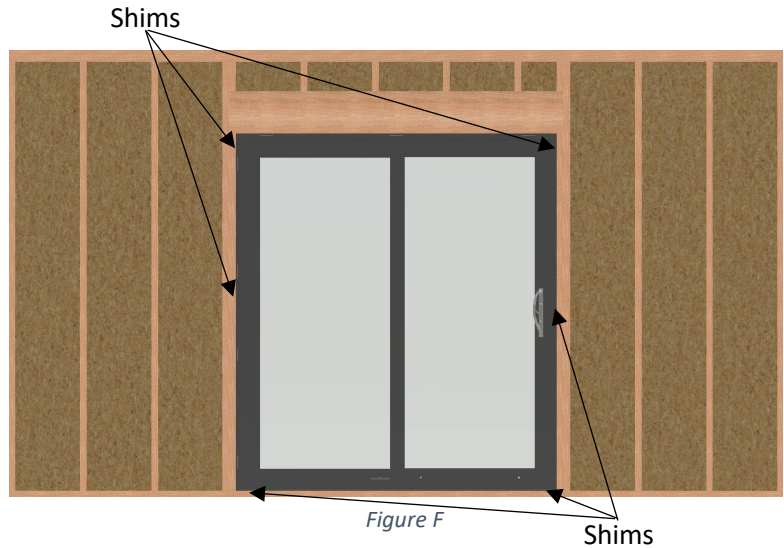


Figure F

13. Use stainless or galvanized steel fasteners such as roofing nails or non-corrosive screws. Fasteners should be long enough to penetrate wall studs a minimum of 1".
 - a. Install fasteners around the entire perimeter of the nailing flange using at least every other hold for single doors.
 - b. For assemblies with multiple doors, fasteners should be installed in every slotted hole in the flange.
 - c. Fasten the fin snug but **DO NOT OVERDRIVE** the nails or screws. Fasteners should be just tight enough to hold the door but not stop the movement of the framing underneath during expansion and contraction. Make sure the head and sill are **NOT** crowned up or down, and the jambs are not bowed in or out.
 - d. Also, for doors with casing or doors ordered with jamb prep, using supplied installation screws, secure the door to the rough opening through the pre-punched holes in the jambs. There are two screw holes near the sill and two near the head. For the stationary door side, a cover must be removed to access the prep hole.
14. Remove the temporary tape holding the WRB at the jambs and fold the WRB over the jambs. Apply self-adhesive flexible flashing, a minimum of 4" wide, over the mounting flange of the door at both jambs. The flashing shall be approved for use on vinyl, wood, and other substrates, and must meet a minimum water resistance of 24 hours in accordance with ASTM-D779.
 - a. The jamb flashing should be cut to be twice the roll width, plus the height of the rough opening, minus 1in, and applied onto the door jamb.
 - b. Adhere the top end of the flashing 2in above the rough opening, such that the head flashing (applied later) will overlap the jamb flashing by at least 2in (Figure G).
 - c. Do not interfere with the WRB flap at the head. Tuck the top of the jamb flashing under the flap of the WRB at the head.
 - d. Use firm pressure to apply self-adhering flashing to promote a seal to door flange and WRB. Use of a J-roller is recommended.
15. Apply a piece of flashing across the head of the rough opening. The head flashing shall be cut to the width of the rough opening, plus two times the roll width, plus 2in. (Figure H)
 - a. Adhere the self-adhering flashing with firm pressure (use of a J-roller is recommended) across the head of the door on top of the mounting flange and beyond the rough opening on each side, extending it 2in over the outside edge of the flashing at the jambs.

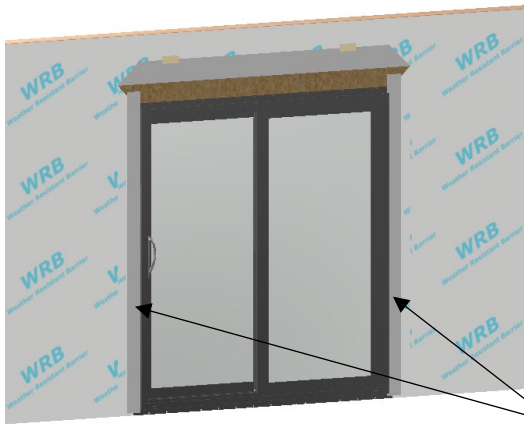


Figure G

Self-Adhering Flashing

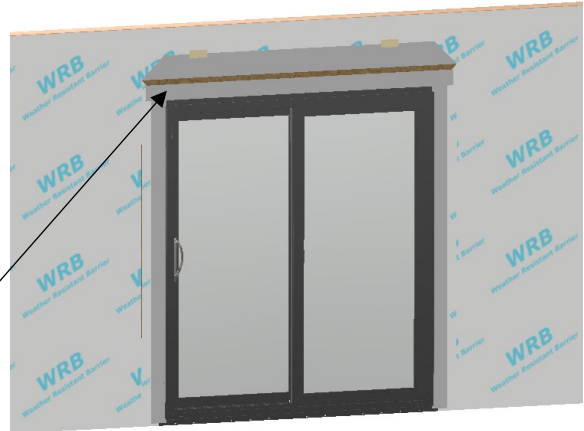


Figure H

16. Remove the previously applied tape which holds the flap of WRP at the head. Allow the flap to lay flat over the head flashing. Apply a new piece of sheathing tape or 4in self-adhering flashing over the WRB flap and the entire diagonal cut made in the WRB.
 - a. The tape should be compressed against the WRB and the head flashing, which extends over the jamb (Figure I).
17. Install batt insulation between the door and rough opening. Do not overfill insulation, as this may bow the frame. The use of minimal expanding spray foam can distort, warp, and bow the door frame if used improperly.
18. Leave 1/4" gap between exterior finish materials and door to allow for expansion and fill the cavity with backer rod. Apply a 1/4" caulk bead to the exterior perimeter of the door.
19. Once installation is complete, exterior wall treatment can be completed.

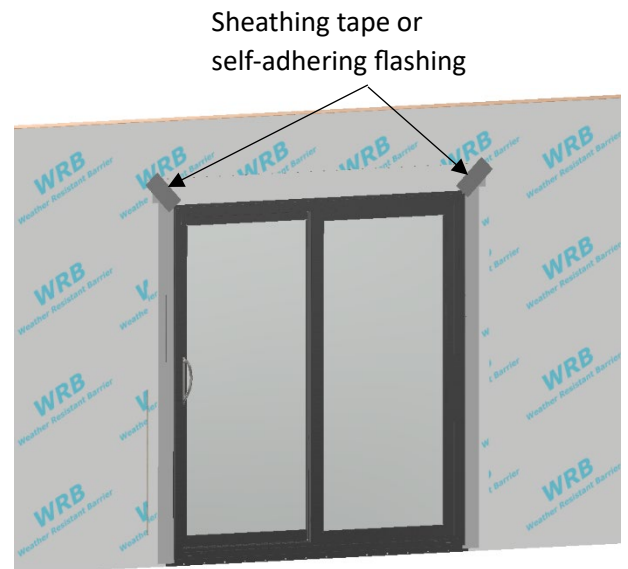


Figure I